

CDMA Band Pass Filter

Model No : ABF - 875

SPECIFICATIONS:

ELECTRICAL

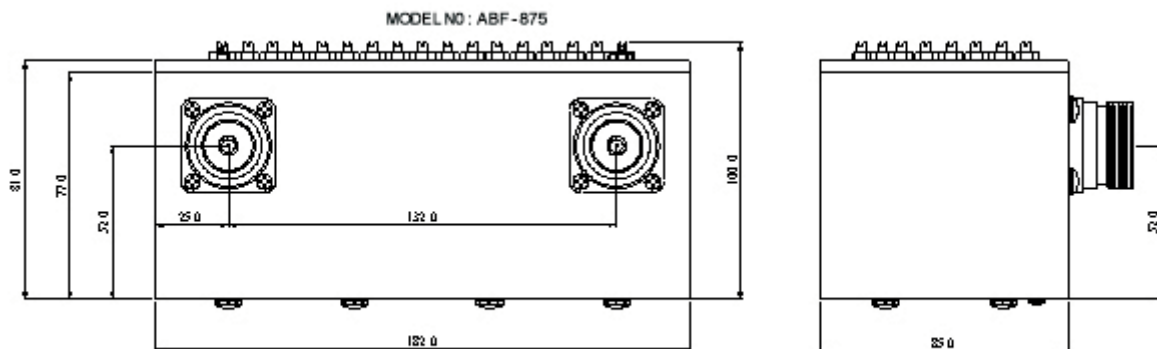
Pass Band Frequency	:	869.0 – 882.0 MHz
Insertion Loss (over pass band)	:	1.2 dB (max.)
Rejection (890 - 895 MHz)	:	60.0 dB (min.)
Return Loss (over pass band)	:	18.0 dB (min.)
Power Handling	:	300 watts (max.)
Impedance	:	50 ohms
Connectors	:	7/16 (F) or customer requirement



MECHANICAL

Dimensions (excluding connectors)	:	182 x 85 x 100 mm
Temperature	:	+ 5°C to + 50°C
Weight	:	2.5 kg (approx.)

Outline Drawing:

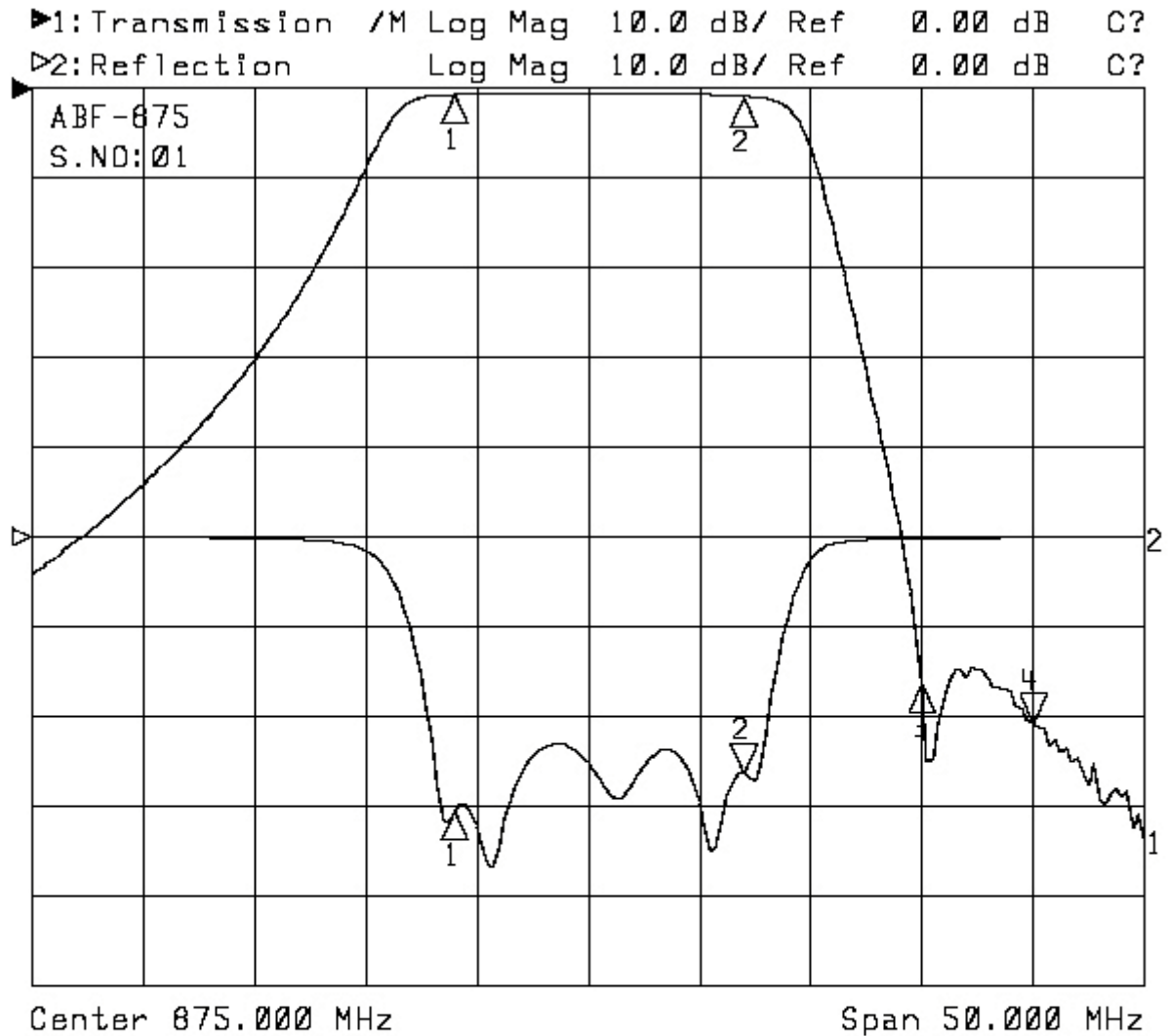


All dimensions are in millimeters

CDMA Band Pass Filter

Model No : ABF - 875

Filter Response:



1: Mkr (MHz)	dB	2: Mkr (MHz)	dB
1: 869.0000	-0.738	1: 869.0000	-30.377
2: 882.0000	-0.912	2> 882.0000	-26.236
3: 890.0000	-66.266		
4> 895.0000	-70.736		