

CDMA Band Pass Filter

Model No : ABF - 878

SPECIFICATIONS:

ELECTRICAL

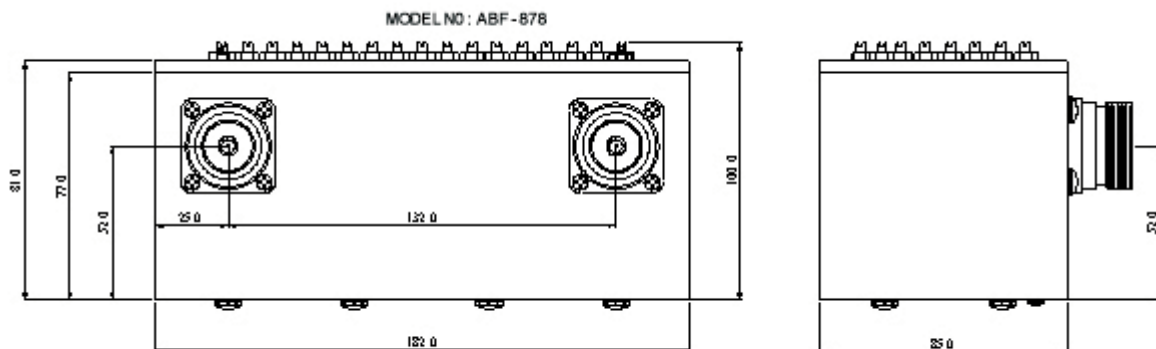
Pass Band Frequency	:	869.0 – 888.4 MHz
Insertion Loss @ 888.4 MHz	:	2.5 dB (max.)
@ 869.0 MHz	:	0.8 dB (max.)
Rejection @ 890 MHz	:	30.0 dB (min.)
Return Loss (over pass band)	:	18.0 dB (min.)
Power Handling	:	300 watts (max.)
Impedance	:	50 ohms
Connectors	:	7/16 (F) or customer requirement



MECHANICAL

Dimensions (excluding connectors)	:	182 x 85 x 100 mm
Temperature	:	+ 5°C to + 50°C
Weight	:	2.5 kg (approx.)

Outline Drawing:

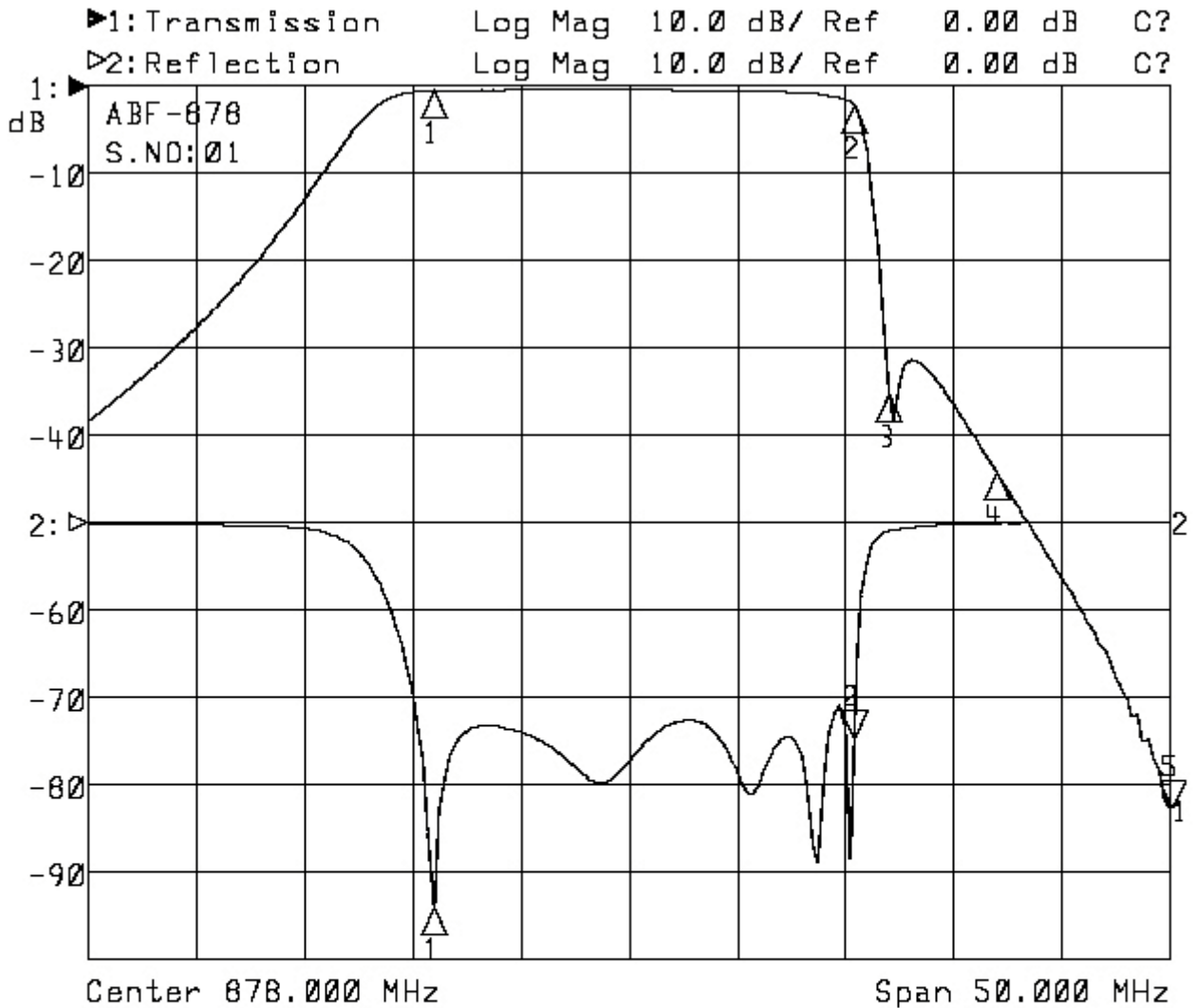


All dimensions are in millimeters

CDMA Band Pass Filter

Model No : ABF - 878

Filter Response:



1: Mkr (MHz)	dB	2: Mkr (MHz)	dB
1: 869.0000	-0.592	1: 869.0000	-44.040
2: 888.4000	-2.191	2> 888.4000	-24.725
3: 890.0000	-35.179		
4: 895.0000	-44.163		
5> 903.0000	-82.798		