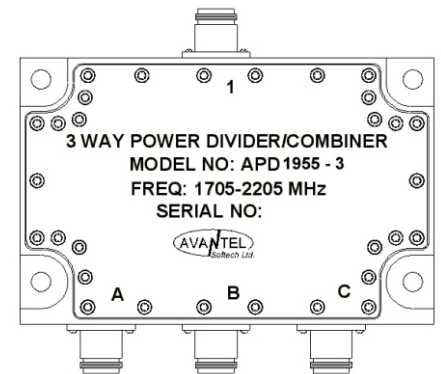


## SPECIFICATIONS:

### ELECTRICAL

Frequency Range	:	1705 - 2205 MHz
Insertion Loss	:	5.4 dB (max)
VSWR		
Input	:	1.30:1 (max)
Output	:	1.30:1 (max)
Isolation	:	20 dB (min)
Amplitude Imbalance	:	0.2 dB (max)
Phase Imbalance	:	$\pm 5^{\circ}$ (max)
Input Power average (out put terminated in any load)	:	100 W



### MECHANICAL

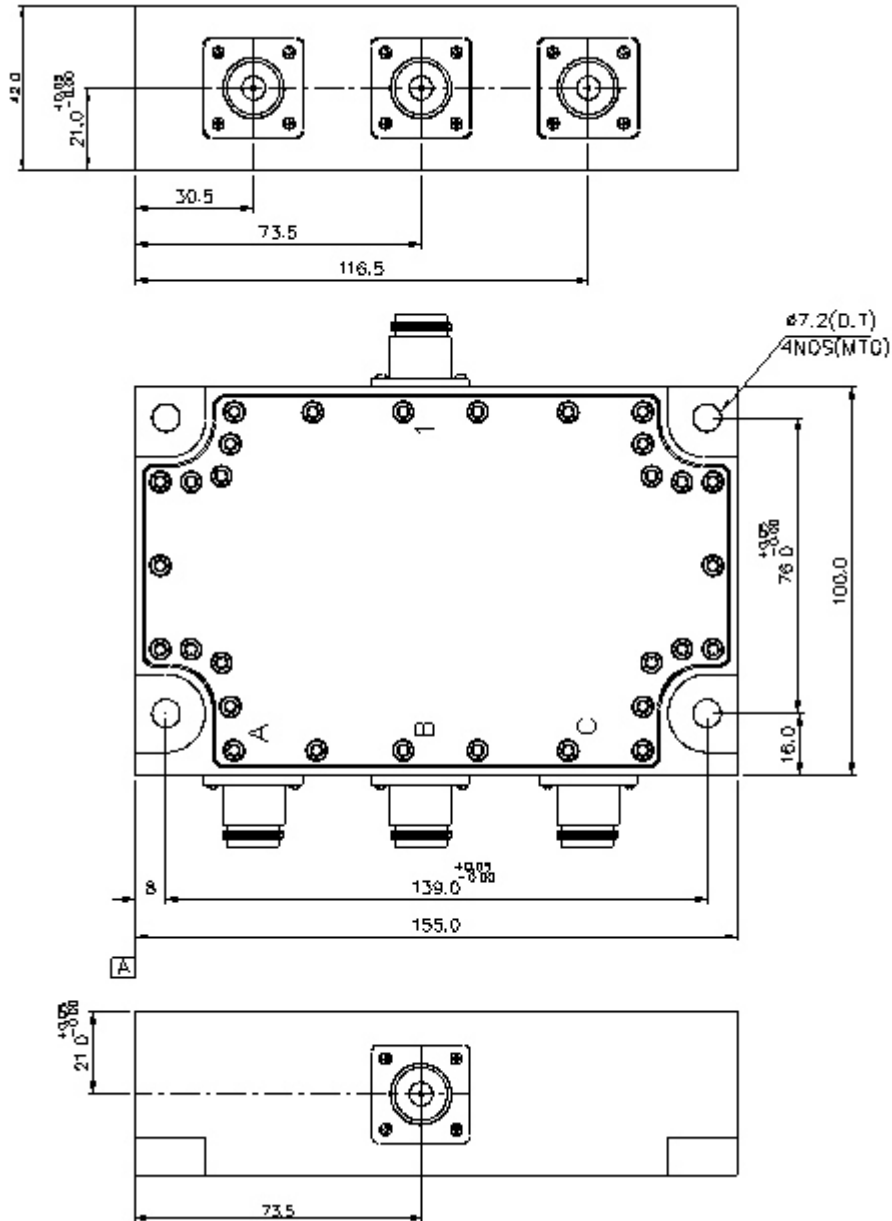
Over all dimensions	:	155 X 100 X 42 mm (6.1" X 3.93" X 1.65")
Connectors	:	N Type Female
Weight	:	1480gm (max) (3.25 lb)
Finish	:	White / Yellow Chromatisation

### ENVIRONMENTAL

Operating temperature	:	-10 <sup>0</sup> c to + 60 <sup>0</sup> c
Storage temperature	:	-20 <sup>0</sup> c to + 70 <sup>0</sup> c
Environmental test (IP65)		
Dust test	:	As per JSS 55555 for 1hour
Rain test	:	More than 100mm/hour for 3 hours

## Avantel Limited

**Outline Drawing:**



All dimensions are in millimeters

## Avantel Limited