

2 - Way Power Combiner

Model No : APC 500 - 2

SPECIFICATIONS:

ELECTRICAL

Frequency Range	:	250 - 500 MHz
Insertion Loss	:	3.4 dB (max)
VSWR	:	1.5:1 (max)
Isolation	:	13 dB (min)
Amplitude Imbalance	:	0.3 dB (max)
Phase Imbalance	:	$\pm 3^{\circ}$ (max)
Power Handling	:	150 W

MECHANICAL

Over all dimensions	:	84.2 X 54 X 42 mm (3.31" X 2.12" X 1.65")
Input connector	:	SMA Type Female
Output connector	:	N Type Female
Weight	:	350gm (Max) (0.77 lb)
Finish	:	White / Yellow Chromatisation

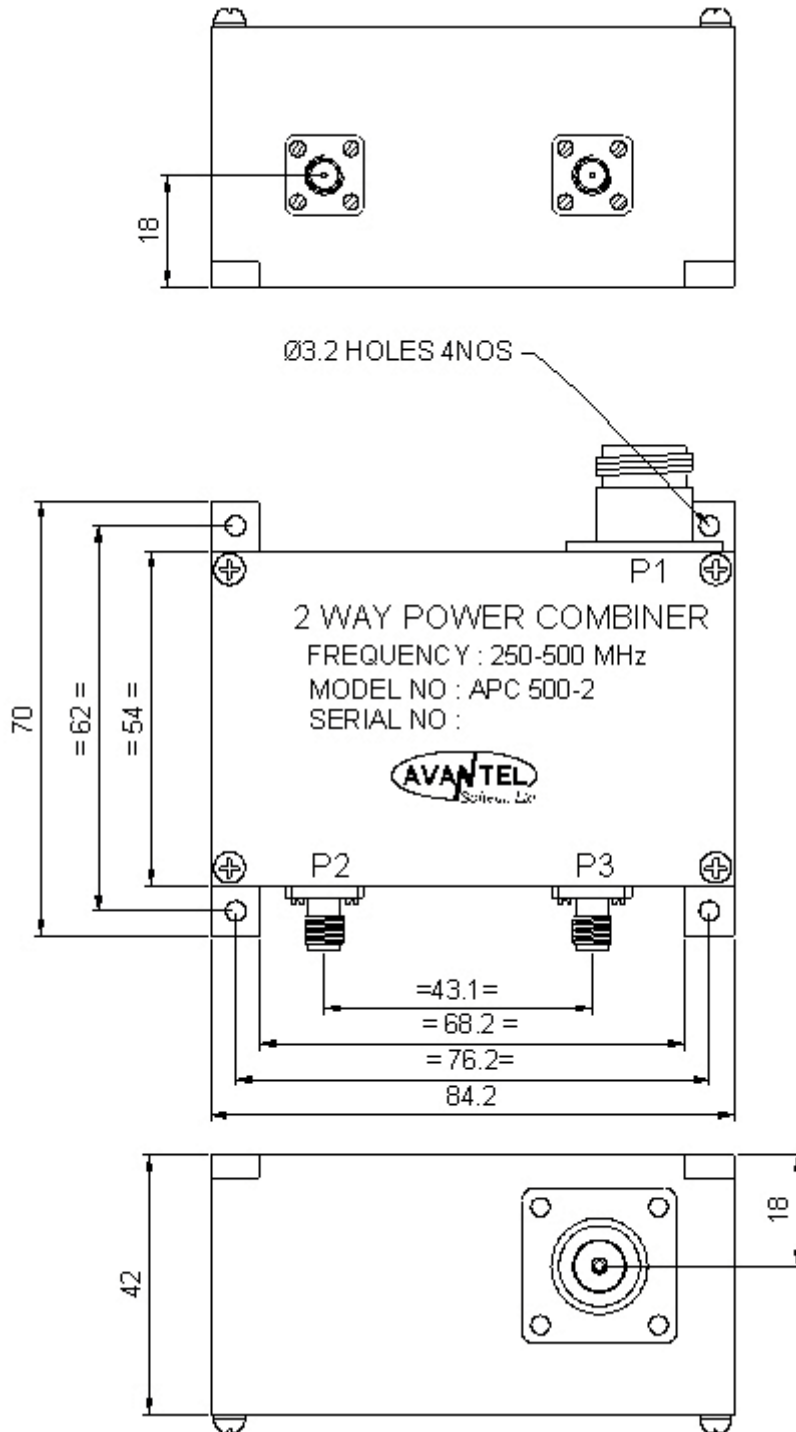
ENVIRONMENTAL

Operating temperature	:	-10 ⁰ c to + 60 ⁰ c
Storage temperature	:	-20 ⁰ c to + 70 ⁰ c

2 - Way Power Combiner

Model No : APC 500 - 2

Outline Drawing:



All dimensions are in millimeters